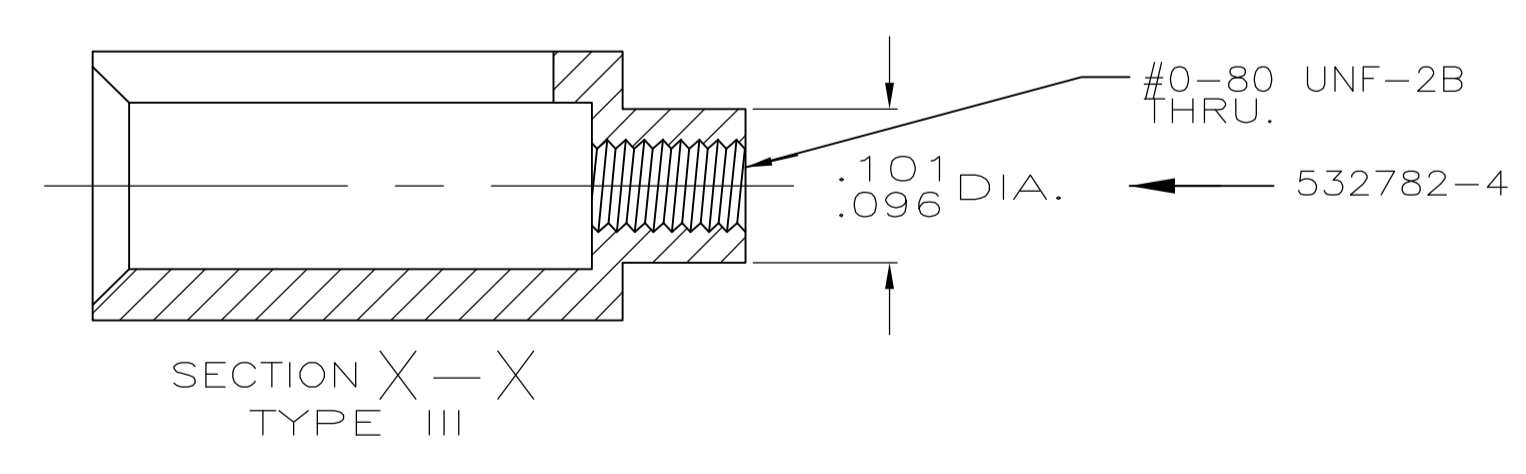
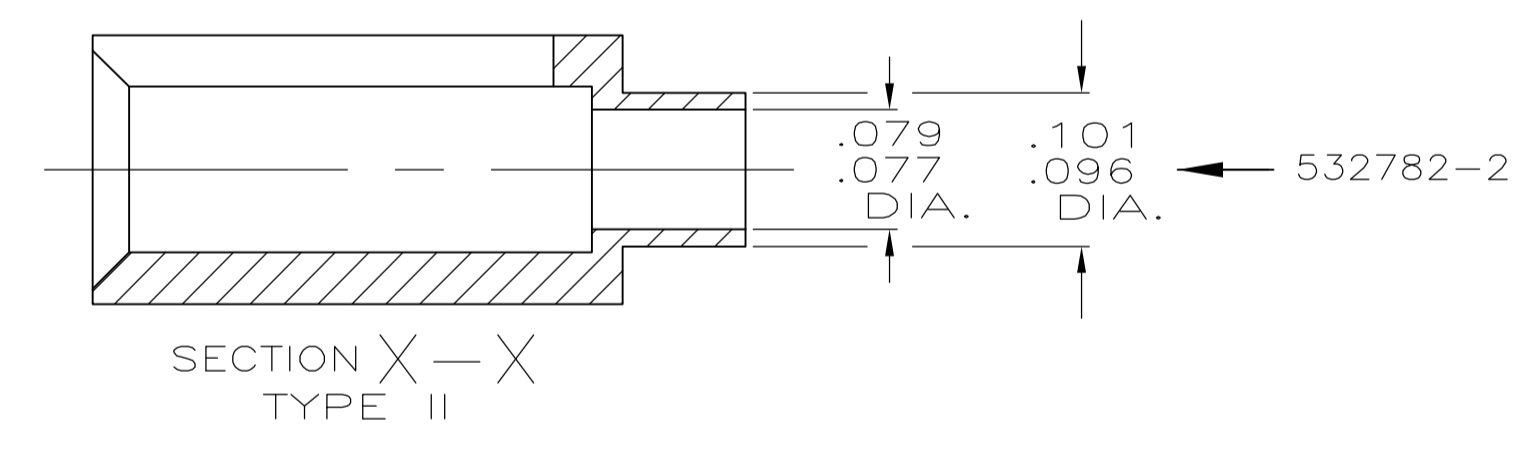
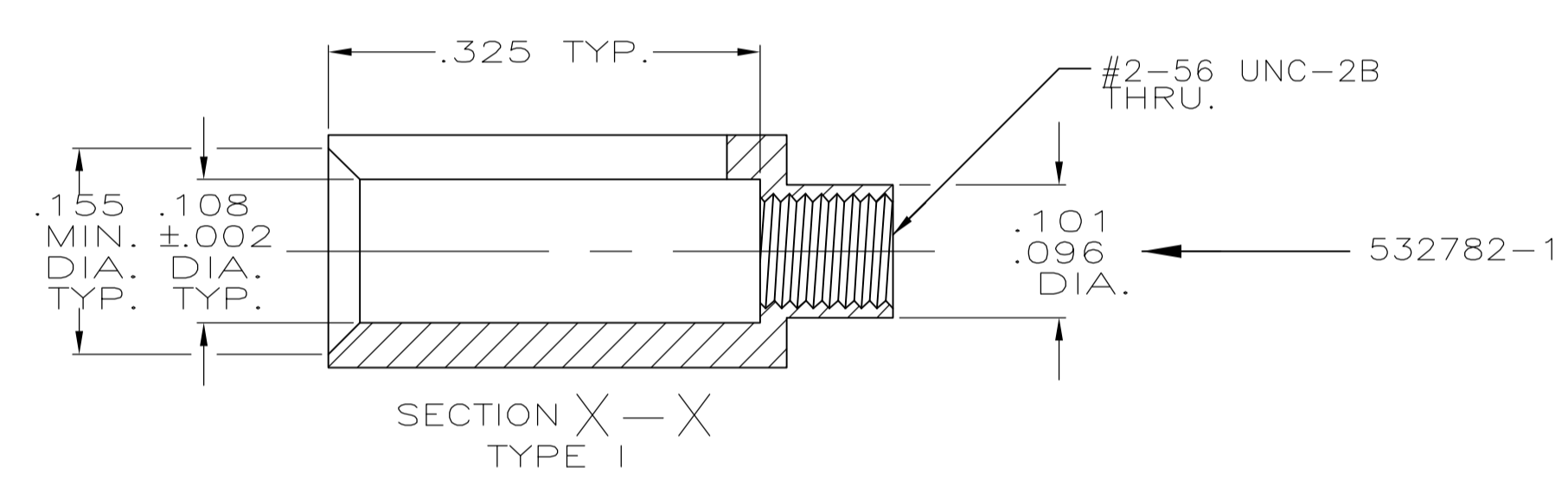
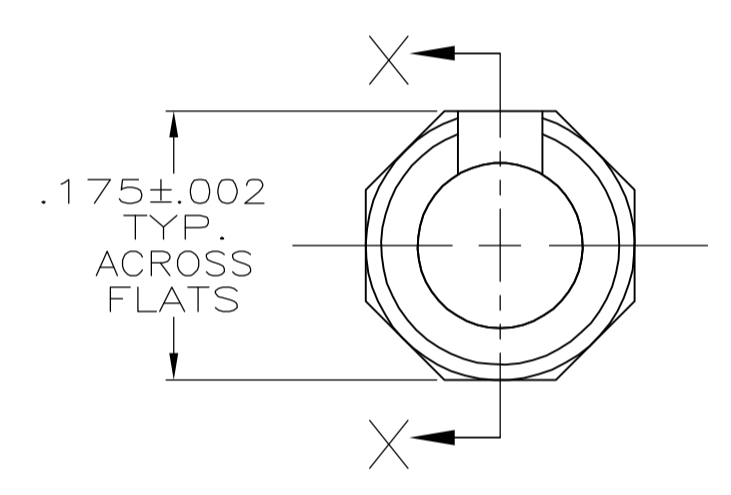
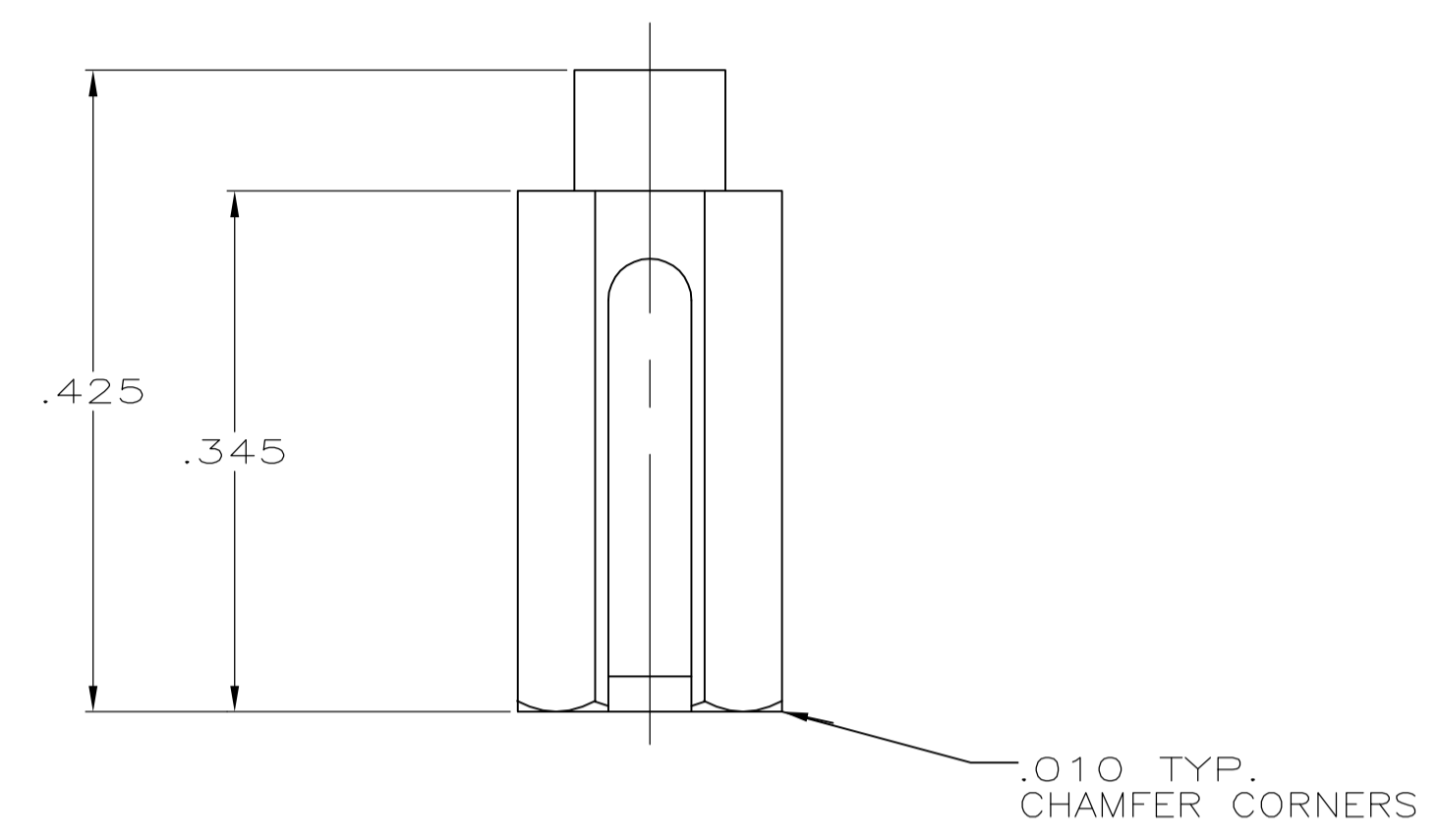


LOC		DIST		REVISIONS			
AD	25	REV	DATE	DESCRIPTION	DATE	BY	APPV
G				REVISED PER EC 0512-0287-05	10DEC05	JDP	AMS

- △ KIT CONSISTS OF (1) 532782-1 INSERT AND (1) 6-21082-9 SCREW (#2-56 X .125 LONG.)
- △ TO BE USED WITH PART NUMBER 531713-1.
- 3. MOUNT WITH .125 LONG #2-56 SCREW.



	-	III	532782-4
OBSOLETE	△	I	532782-3
OBSOLETE	△	II	532782-2
	-	I	532782-1
REMARKS		TYPE	532782-1

THIS DRAWING IS A CONTROLLED DOCUMENT.

DIMENSIONS: mm [INCHES]	TOLERANCES UNLESS OTHERWISE SPECIFIED:	0 PLC ± -	1 PLC ± -	2 PLC ± 0.13 [.005]	3 PLC ± -	4 PLC ± -	ANGLES ± -
MATERIAL: STAINLESS STEEL	FINISH: PASSIVATED	WEIGHT: -	SIZE: A1	CAGE CODE: 00779	DRAWING NO: 532782	RESTRICTED TO: -	CUSTOMER DRAWING

DWG: T. HOFFMAN 9/28/94
 CHK: G.E. SKIPPER 10/14/94
 APVD: -
 Tyco Electronics Corporation, Harrisburg, PA 17105-3608
 KEYING, INSERT COMBINATION GUIDE
 SCALE: 4:1 SHEET 1 OF 1 REV G